

# ASSEMBLY INSTRUCTIONS



**360 DEGREE  
SWIVEL HUNTING  
CHAIR**

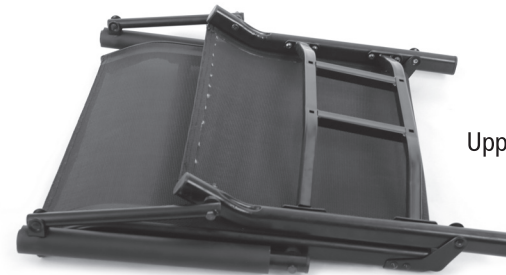
  
**HUNT COMFORT**  
ADVANCED SEATING SYSTEMS

**FOLDS TO  
GROUND LEVEL  
CHAIR**

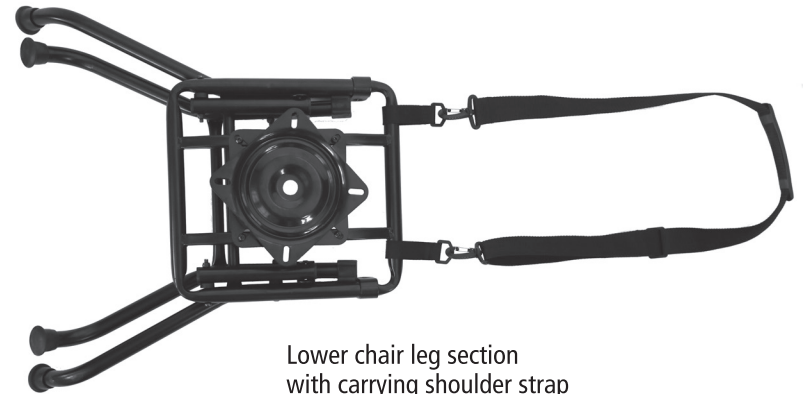


## CHAIR ITEMS AND HARDWARE INCLUDED:

- [4] 1" long carriage bolts
- [4] Hex nuts
- [1] Upper chair section
- [1] Lower chair leg section with carrying shoulder strap



Upper chair section



Lower chair leg section  
with carrying shoulder strap



1" long carriage bolts and hex nuts



Attach the upper chair section to the lower chair legs using the four 1" long carriage bolts and four hex nuts supplied.

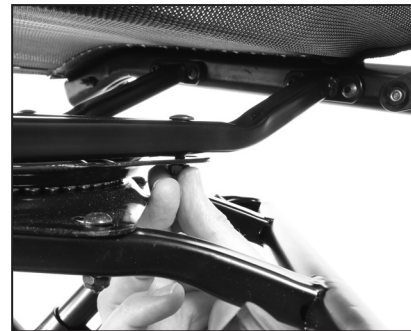
---

**Tools Needed:** 10mm open end wrench

---



Line up the pre-drilled holes in the upper chair with the pre-drilled holes in the lower chair leg section. Place the four 1" long carriage bolts through the four pre-drilled holes.



Hand fasten hex nuts to the 1" long carriage bolts.



Tighten hex nuts with 10mm wrench until the upper chair section and the lower chair leg section are secure and tight.

  
**HUNT COMFORT**  
ADVANCED SEATING SYSTEMS

**HUNT COMFORT**  
7201 Engle Rd., Fort Wayne, IN 46804  
888.757.3232  
[www.huntcomfort.com](http://www.huntcomfort.com)